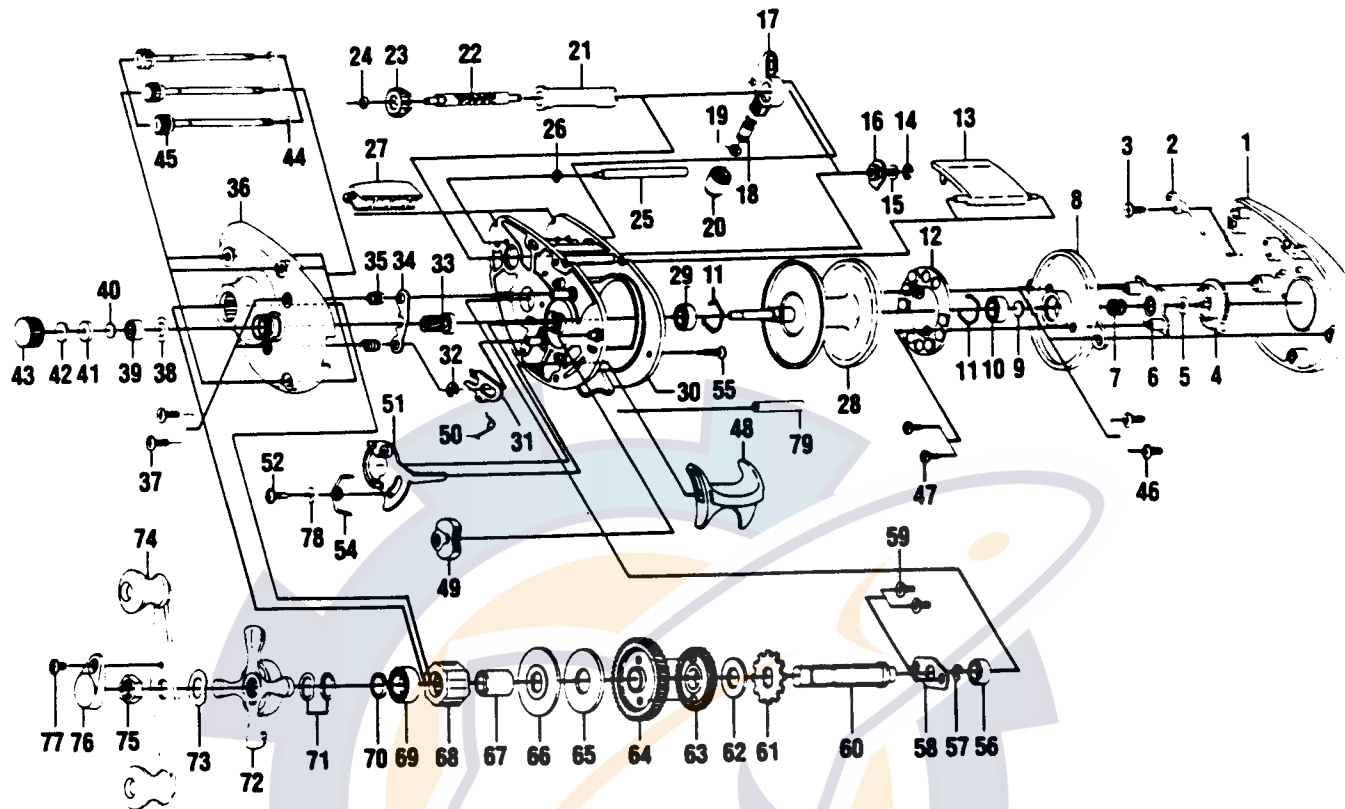


QUANTUM EX301P



Key No.	Part No.	Description	Price	Key No.	Part No.	Description	Price
1	XW024-01	Right Side Cover	8.70	40	QW032-01	Washer - Spool Tension	.52
2	QW108-01	Clicker	.93	41	QW081-01	Collar	.93
3	QW125-01	Screw - Clicker	.93	42	QW082-01	Cushion Washer - Spool	.93
4	XW026-01	Magnet Control Dial	1.24	43	QW033-01	Spool Tension Knob	2.83
5	NX105-01	Dial Friction Ring	.49	44	QW073-01	Ring - Thumb Screw Ret.	1.13
6	QW028-01	Slide Cam	1.13	45	QW374-01	Thumb Screw	1.13
7	NX071-01	Slide Cam Spring	.36	46	QW125-01	Screw- Spool Cover	.93
8	QW051-01	Spool Cover	2.68	47	QW076-01	Screw - Magnet Plate	.62
9	QW032-01	Spool Tension Shim	.52	48	SW009-01	Thumb Bar	2.73
10	SW017-01	Bearing	6.59	49	XW087-01	Flippin Switch	.93
11	QW080-01	Clip Ring	.52	50	XW097-01	Spring Kick Lever	.62
12	QW330-01	Magnet Plate Assy	5.51	51	XW039-01	Release Slider	2.16
13	QW027-03	Hood	5.46	52	QW076-01	Screw- Release Slider	.62
14	NX092-01	E-Clip (Worm Shaft)	.69	54	XW104-01	Spring - Release Slider	.62
15	QW035-03	Washer (Worm Shaft)	.62	55	SW050-01	Thumb Bar Retaining Screw	.93
16	QW067-01	Worm Shaft Bushing	.93	56	QW017-01	Bushing - Crankshaft	6.59
17	QW347-01	Line Guide Carrier	5.51	57	QW120-01	E-Ring Crankshaft	.31
18	QW006-01	Line Guide Pawl	2.68	58	QW002-01	Retainer - Crankshaft	1.13
19	QW035-03	Washer (L/G Pawl)	.62	59	QW107-01	Screw - Crankshaft Retainer	.93
20	QW007-01	Line Guide Carrier Screw	2.16	60	QW008-02	Crankshaft	5.41
21	QW016-01	Worm Shaft Guide	1.91	61	QW083-01	Trip Ratchet	1.70
22	QW072-01	Worm Shaft	6.95	62	QW111-01	Washer - Ratchet	.62
23	QW085-01	Level Wind Gear	1.70	63	QW112-01	Gear - L/W Idler	1.49
24	NX090-01	E-Ring (L/W Gear)	.62	64	XW012-02	Drive Gear	10.56
25	QW061-01	Stabilizer Bar	2.58	65	QW059-01	Drag Disc	2.94
26	NX090-01	E-Ring (Stabilizer Bar)	.62	66	QW045-01	Drag Washer	1.24
27	QW099-03	Front Support	3.24	67	QW052-01	Clutch Sleeve	3.19
28	QW321-02	Spool Assy	14.42	68	QW063-01	One Way Clutch	10.56
29	SW017-01	Bearing	6.59	69	TW058-01	Bearing - Crankshaft Top	6.70
30	XW001-01	Frame	8.45	70	TW035-02	Washer - Crankshaft	1.49
31	SW077-02	Kick Lever	1.49	71	QW046-02	Spring "D" Washer	.36
32	QW120-01	E-Ring (Kick Lever)	.31	72	QW055-02	Drag Star	2.73
33	XW311-02	Pinion Gear	9.79	73	QW054-01	Handle Washer	.36
34	XW025-01	Pinion Yoke	2.11	74	QW318-01	Handle Assy	8.57
35	QW040-01	Spring-Pinion Yoke	.93	75	QW003-02	Handle Nut	1.60
36	XW023-01	Left Side Cover	8.24	76	QW034-01	Handle Nut Cap	.93
37	QW053-01	Screw (Rt. Side Cover)	.93	77	QW123-01	Handle Nut Cap Screw	.93
38	QW101-01	Tension Knob Ring	.36	78	SW121-01	Washer - Release Slider	.62
39	QW117-01	Bushing -Tension Knob	8.45	79	XW094-01	Spacer	.46

Prices subject to change without notice. Prices do not include postage and handling.

PLEASE ORDER BY PART NUMBER

Rev. 6/95

Zebco Division Brunswick Corporation, Box 270, Tulsa, OK 74101 USA 918-836-5581

